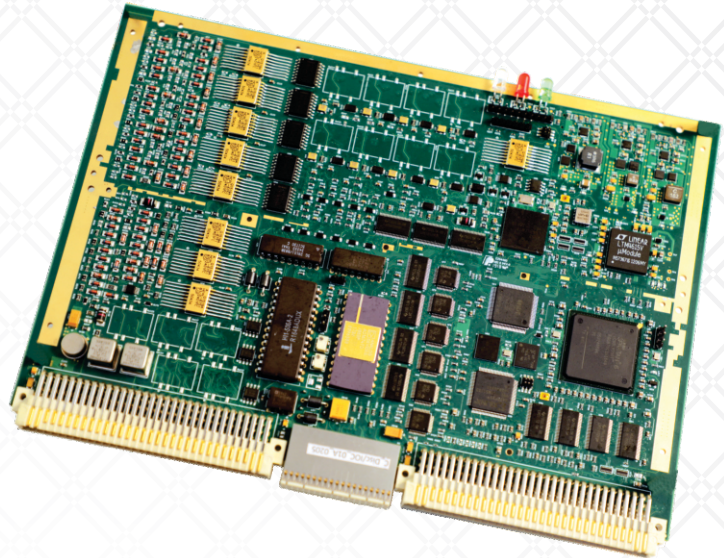
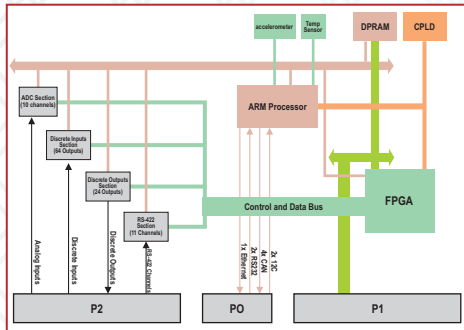


MULTIFUNCTION I/O BOARD



BLOCK DIAGRAM



Multifunction I/O Module in 6U form factor with VME interface

Specifications

Integrated Host Processor

- ARM @ Cortex®- R5F 32-Bit RISC CPU with 32K inst and 32K data caches with ECC.
- 4MB of Program Flash with ECC.
- System core microprocessor supporting frequencies of 330 MHz

SDRAM

- Up to 512 MB SDRAM with ECC Single Bank

Flash Memory

- 512KB NOR Boot Flash memory
- 64MB NOR Boot Flash
- 256MB NOR Application Flash

Backplane

- Fully VME64 Host/slave capable with 2eSST support

Analog Inputs

- 10 channels with 12-bit ADC.
- Software programmable sample rates, gains, filters, and high voltage and current ranges.

Multiple Communication Interfaces

- 1x 10/100 BASE-T Ethernet
- 4x CAN Controller.
- 2x Inter-Integrated (I2C) Modules.
- 11x RS-422 Channels.
- 2x RS-232/RS422 UART ports

Discrete Inputs

- 64 channels with multiple voltage and current ranges.
- Programmable input thresholds and debounce times.

Discrete Outputs

- 24 channels with high voltage and current drives.
- Outputs are protected for short circuit, over current, and over temperature conditions.

Temperature Sensors

- On-board ambient temperature and processor core temperature sensors

Power Requirements

- Operates from +5V

Features

- 6U VME ARM based computer
- High Performance Processor having FPU with Single and Double Precision.
- Onboard Xilinx 6 Series high-end FPGA for ASICs design
- Xilinx CPLD for power sequencing and reset management
- High-speed 3.3V 16K x 16 dual-port SRAM.
- Self Calibration and Built-in-Test (BIT) with Visual Indication.
- 1,000V peak field to VME Bus Isolation.
- ROHS, CE, UL, 60950 compliant.

Optional Accessories

- 6U Standard backplane
- Temperature management
- Wedge Locks

Standards

- MIL-STD-454G
- ANSI/VITA/1994 VME64
- MIL-STD-801D
- MIL-STD-461B

A 15 - Sheikh Zayed Bin Sultan Road (G.T. Road), Sector - H, DHA Phase - II, Islamabad, Pakistan.

T +92-51-7080200, +92-51-8430644 **F** +92-51-8430643

E info@teresol.com **W** www.teresol.com